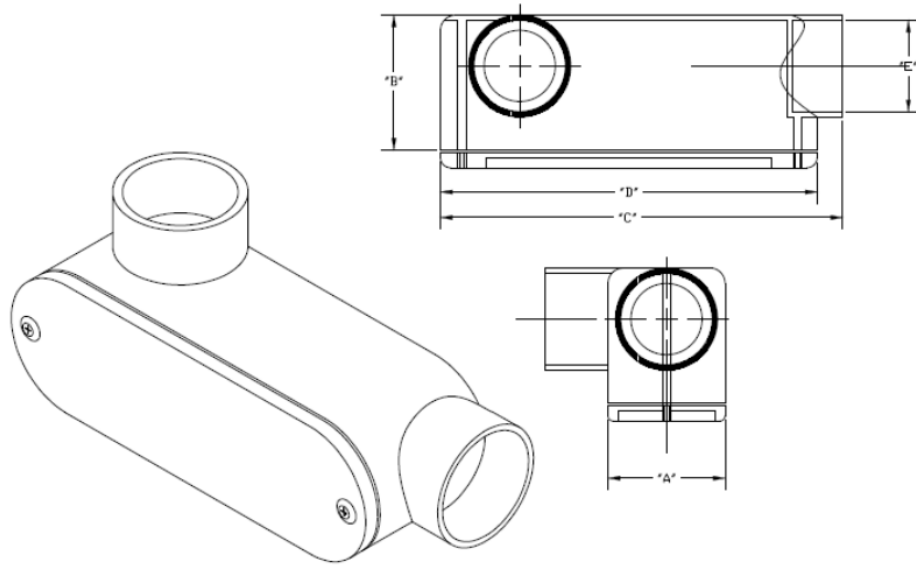


LL Conduit Bodies

PVC Electrical Conduit Fittings and Accessories



Catalog Part No.	System Part No.	Trade Size	A	B	C	D	E	Volume cu. in.	3-wire Fill
LL05	59210	1/2	1.31	1.44	4.25	4.00	0.88	4.3	#6 or smaller
LL07	59211	3/4	1.50	1.63	4.94	4.63	1.06	6.5	#6 or smaller
LL10	59212	1	1.75	2.00	6.00	5.38	1.31	11.8	#6 or smaller
LL12	59213	1 1/4	2.44	2.44	7.63	7.19	1.63	25	XHHW #1
LL15	59214	1 1/2	2.63	2.81	8.56	8.00	1.94	36.5	XHHW #2 / 0
LL20	59215	2	3.06	3.44	9.88	9.50	2.38	63.5	XHHW #4 / 0
LL25	59216	2 1/2	4.63	4.63	14.94	12.75	2.88	198	XHHW 500 MCM
LL30	59217	3	4.63	4.63	15.00	12.81	3.50	198	XHHW 500 MCM
LL35	59218	3 1/2	5.63	5.50	16.19	12.81	4.00	305	XHHW 500 MCM
LL40	59219	4	5.63	5.50	15.94	12.81	4.50	305	XHHW 500 MCM

- Dimensions are nominal (inches) and are subject to normal manufacturing tolerances
- Sizes 2 1/2 through 4 have straight (90 degree) edges/angles UL listed
- UL File #E98429
- UL Category Code QCMZ
- UL Control Number 39N9
- Material is Rigid PVC
- Gasket is Neoprene
- Zinc plated steel screws
- See NEC Article 314 for use