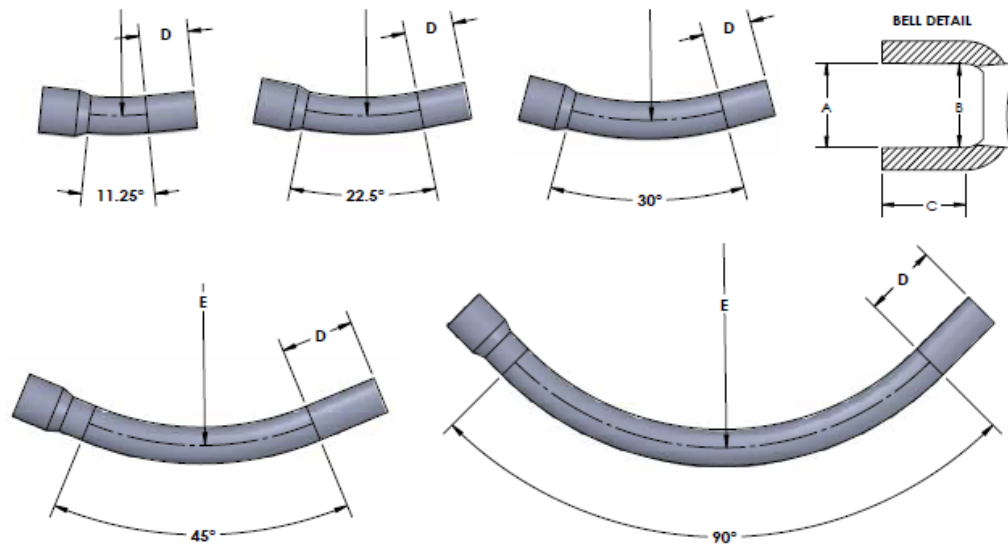


Elbows, DB120

11.25°, 22.5°, 30°, 45°, 90°



Trade Size (in)	Bell Entrance A	Bell Bottom B	Bell Length C	Target Length D
1	1.330	1.310	1.500	1.750
1½	1.918	1.894	1.875	2.125
2	2.393	2.369	2.250	2.500
3	3.515	3.492	3.375	3.625
4	4.515	4.491	3.875	4.125
5	5.593	5.553	4.500	4.750
6	6.658	6.614	5.500	5.750

- Radius availability: 18", 24", 30", 36", 48", 60"
- Not all radii/angles are available in every size – consult sales catalog for details
- Dimensions are nominal (inches) and are subject to normal manufacturing tolerances
- 2" and up conforms to ASTM F512

F512 Radii

Trade Size (in)	22.5 & 30 Degree	45 and 90 degree
2 - 4	18, 24, 36, 48, 60	
5	48, 60	36, 48, 60
6	48, 60	