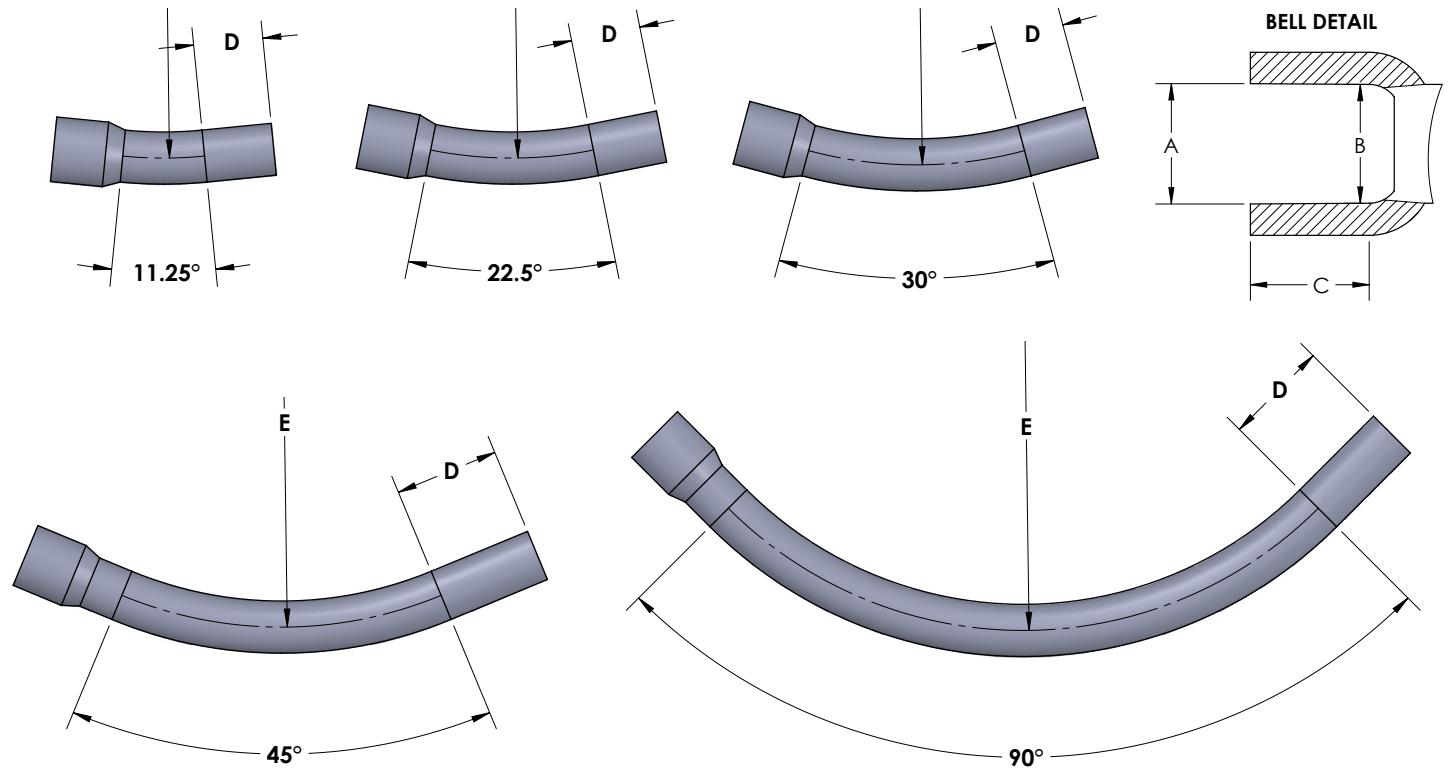


# Standard Radius Elbows Schedule 40 and Schedule 80

11.25°, 22.5°, 30°, 45°, 90°



Nominal Size	Dimensions (inches)				
	Bell Entrance A (Avg)	Bell Bottom B (Avg)	Bell Length C (Min)	Tangent Length D (Min)	Typical Radius E
1/2	0.852	0.836	0.652	1.500	4
3/4	1.064	1.046	0.719	1.500	4 1/2
1	1.330	1.310	0.875	1.875	5 3/4
1 1/4	1.677	1.655	0.938	2.000	7 1/4
1 1/2	1.918	1.894	1.062	2.000	8 1/4
2	2.393	2.369	1.125	2.000	9 1/2
2 1/2	2.890	2.868	1.469	3.000	10 1/2
3	3.515	3.492	1.594	3.125	13
3 1/2	4.015	3.992	1.687	3.250	15
4	4.515	4.491	1.750	3.375	16
5	5.593	5.553	1.937	3.625	24
6	6.658	6.614	2.125	3.750	30

Tested and Certified by ETL Intertek to UL 651

Available in both bell end and plain end versions. Bell dimensions do not apply to plain end sweeps.

