

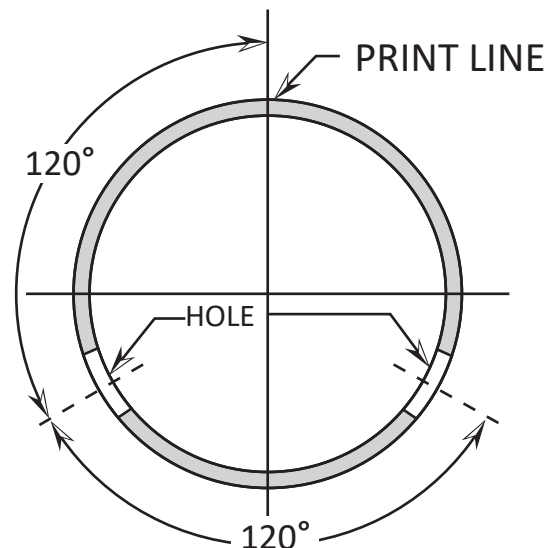
# PVC Solvent Weld Sewer and Drain Pipe - West

## Conforms to ASTM D 2729

- Available in solid-wall or with perforations
- Product manufactured with one integral solvent-weld bell per length
- Standard overall pipe length is 10-feet
- Standard color is white

Trade Size	Part Number		Dimensions (in)		Minimum Wall Thickness (in)	Approximate Weight per 100' (lbs)	Crate Quantity (ft)
	Solid	Perforated	Avg OD	Approx ID			
4	2740010	2740010F	4.215	4.06	0.075	68	570
6	2760010	2760010F	6.275	6.06	0.100	135	260

## LOCATION OF PRINT LINE AND PERFORATIONS



Perforation Specifications: Two rows of 1/2" diameter holes with holes, 5 inches on center.