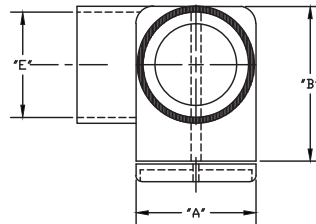
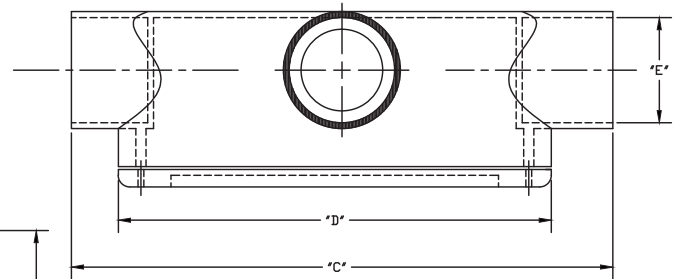
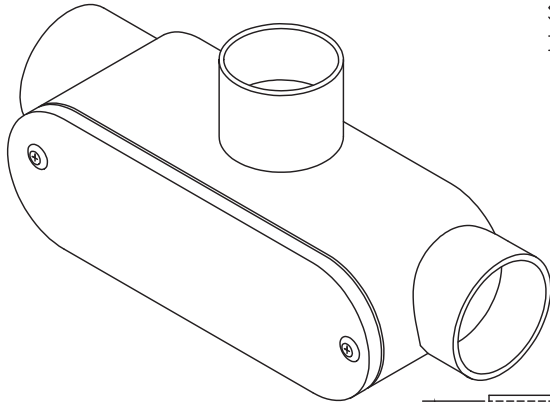


# Type T Conduit Bodies



Sizes 2 1/2" through 4" have straight (90 deg.) edges/angles  
Dimensions are nominal



UL Listed  
UL File # E98429  
UL Category Code QCMZ  
UL Control Number 39N9  
Material Rigid PVC  
Gasket Closed Cell Neoprene  
Screws Zinc Plated Steel

Trade Size (in)	Catalog Part Number	System Part Number	A (min)	B (min)	C				Maximum 3-Wire Fill
1/2	T05	59230	1.31	1.50	4.63	4.00	0.88	4.3	#6 or Smaller
3/4	T07	59231	1.50	1.69	5.38	4.63	1.06	6.5	#6 or Smaller
1	T10	59232	1.75	2.00	6.56	5.38	1.31	11.8	#6 or Smaller
1 1/4	T12	59233	2.50	2.50	8.19	7.19	1.69	25.0	XHHW #1 or Smaller
1 1/2	T15	59234	2.63	2.81	9.25	8.00	1.94	36.5	XHHW #2/0 or Smaller
2	T20	59235	3.13	3.38	10.38	9.50	2.38	63.5	XHHW #4/0 or Smaller
2 1/2	T25	59236	4.63	4.63	19.00	12.88	3.50	198.0	XHHW 500 MCM or Smaller
3	T30	59237	4.63	4.63	19.00	12.88	3.50	198.0	XHHW 500 MCM or Smaller
3 1/2	T35	59238	5.56	5.56	20.38	13.75	4.00	305.0	XHHW 500 MCM or Smaller
4	T40	59239	5.56	5.56	20.19	13.88	4.50	305.0	XHHW 500 MCM or Smaller

• Dimensions are nominal (inches) and are subject to normal manufacturing tolerances