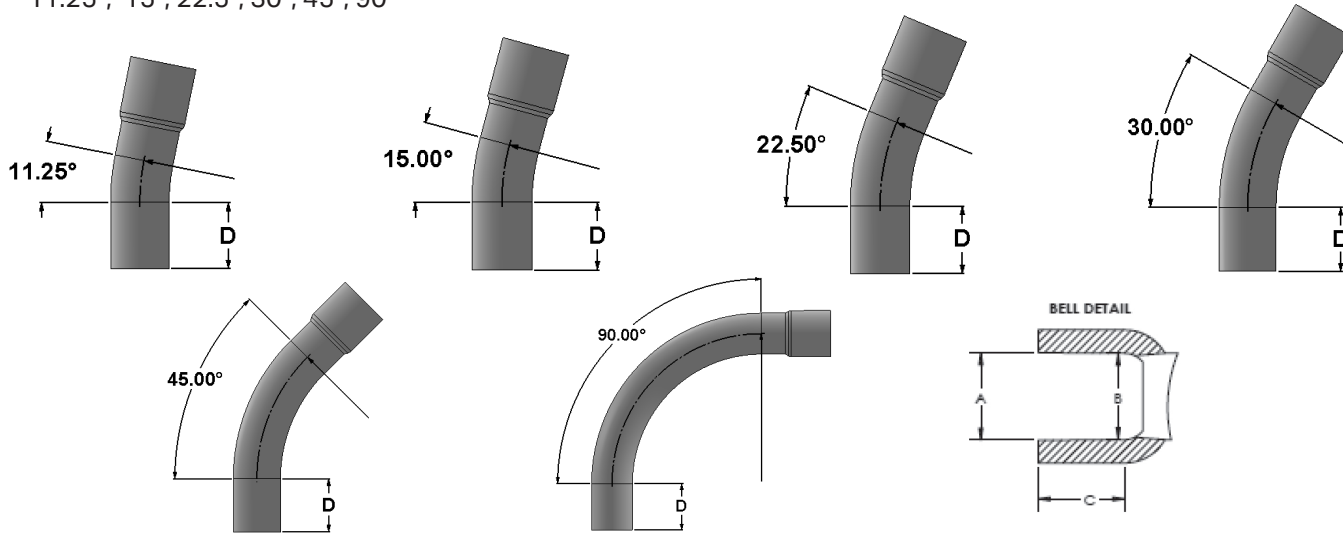


ELBOWS SCHEDULE 40 AND 80

PVC Electrical Conduit Fittings and Accessories

11.25°, 15°, 22.5°, 30°, 45°, 90°



Trade Size (in)	Bell Entrance A	Bell Bottom B	Bell Length C	Target Length D
1/2	0.852	0.836	1.250	1.750
3/4	1.064	1.046	1.250	1.750
1	1.330	1.310	1.625	2.125
1 1/4	1.677	1.655	1.750	2.250
1 1/2	1.918	1.894	2.250	2.250
2	2.393	2.369	2.250	2.250
2 1/2	2.890	2.868	2.750	3.250
3	3.515	3.492	2.875	3.375
3 1/2	4.015	3.992	3.000	3.500
4	4.515	4.491	3.500	3.625
5	5.593	5.553	4.375	4.625
6	6.658	6.614	5.250	5.500
8	8.670	8.610	6.250	6.500

- Dimensions are nominal (inches) and are subject to normal manufacturing tolerances
- Not all radii/angles are available in every size – consult sales catalog for details
- Available with standard or special (18", 24", 30", 36", 48", 60") radius
- Available in both Bell-End and Plain-End versions. Bell dimensions do not apply to Plain End Elbows
- 6" and below tested and certified by ETL Intertek to UL651. UL 651 does not include 8"
- Conforms to NEMA TC-3



For more info visit atkore.com/heritageplastics

