

# Solvent Weld Drain

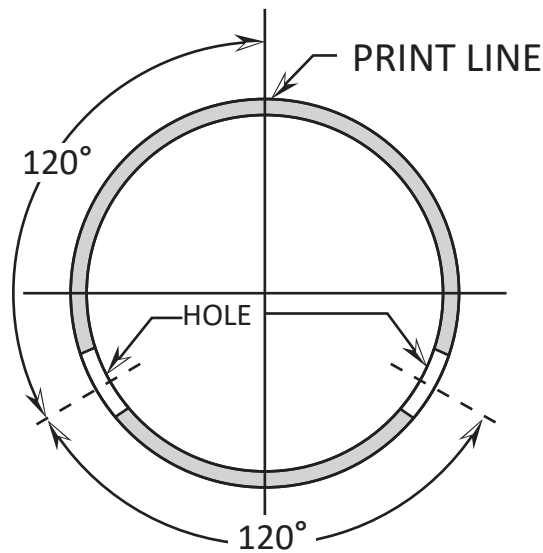
## Drain Pipe

Conforms to ASTM D 2729 and ASTM D 1784, cell class 12454 or 12364

- Proper hole positioning by centering pipe print line at top
- Product manufactured with one integral solvent-weld bell standard per length
- Coloring is white and produced in 10-foot overall lengths

Part Number		Trade Size	Dimensions (inches)		Minimum Wall (inches)	Approximate Weight Per 100' (lbs)	Standard Crate Quantity (feet)
Solid	Perforated		O.D. (avg)	I.D. (approx)			
2740010	2740010F	4	4.215	4.06	0.075	68	570
2760010	2760010F	6	6.275	6.06	0.100	135	260

### LOCATION OF PRINT LINE AND PERFORATIONS



**Perforation Specifications:** Two rows of 1/2" diameter holes with hole spacing of 5" center-to-center.