

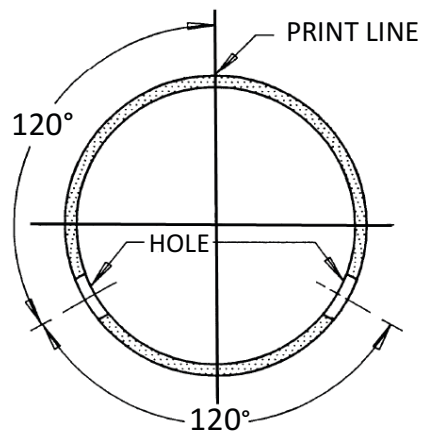
PVC Solvent-Weld Sewer Pipe

- ASTM D 3034 SDR 35 prior to perforation
- Solvent-weld bells
- 10 and 20-foot overall lengths
- White in color



Trade Size	Part Number	Length (feet)	Average O.D. (inches)	Approximate Weight per 100' (lbs)	Standard Crate Quantity (feet)
Solid-wall					
4	3040010	10	4.215	103	630
	3040020	20	4.215	103	1,260
6	3060010	10	6.275	236	260
	3060020	20	6.275	236	520
Perforated					
4	3040010F	10	4.215	103	630
	3040020F	20	4.215	103	1,260
6	3060010F	10	6.275	236	260
	3060020F	20	6.275	236	520

Location of Print Line and Perforations



Perforation Specifications: Two rows of 1/2" diameter holes with hole spacing of 5" center-to-center.

NOTE: Special orders are non-cancelable, non-returnable and non-refundable.