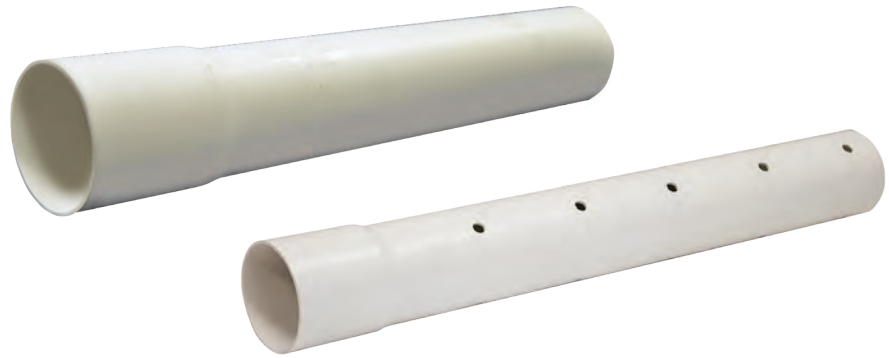


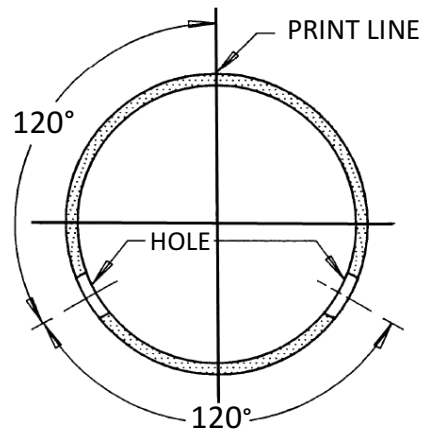
PVC Drainage Pipe

- ASTM D 2729
- Solvent-weld bells
- 10-foot overall lengths
- White in color



Trade Size	Part Number	Average O.D. (inches)	Approximate Weight per 100' (lbs)	Standard Crate Quantity (feet)
Solid-wall				
4	2740010	4.215	68	570
6	2760010	6.275	135	260
Perforated				
4	2740010F	4.215	68	570
6	2760010F	6.275	135	260

Location of Print Line and Perforations



Perforation Specifications: Two rows of 1/2" diameter holes with hole spacing of 5" center-to-center.

NOTE: Special orders are non-cancelable, non-returnable and non-refundable.