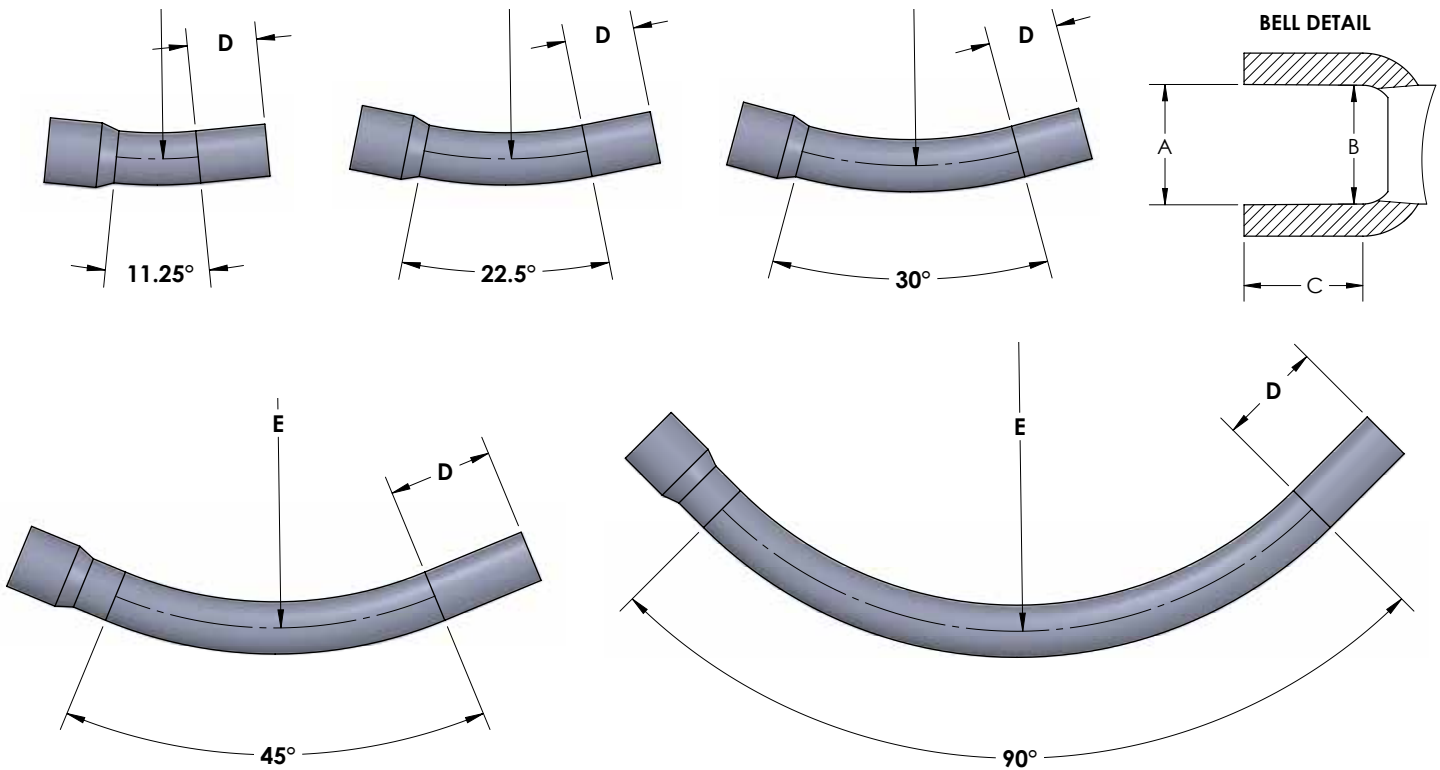


# Special Radius Elbows Schedule 40 and Schedule 80

## 11.25°, 22.5°, 30°, 45°, 90°, 36" Radius



| Nominal Size | Dimensions (inches)      |                        |                        |                           |                     |
|--------------|--------------------------|------------------------|------------------------|---------------------------|---------------------|
|              | Bell Entrance<br>A (Avg) | Bell Bottom<br>B (Avg) | Bell Length<br>C (Min) | Tangent Length<br>D (Min) | Typical Radius<br>E |
| 1            | 1.330                    | 1.310                  | 0.875                  | 1.875                     | 36                  |
| 1 ¼          | 1.677                    | 1.655                  | 0.938                  | 2.000                     | 36                  |
| 1 ½          | 1.918                    | 1.894                  | 1.062                  | 2.000                     | 36                  |
| 2            | 2.393                    | 2.369                  | 1.125                  | 2.000                     | 36                  |
| 2 ½          | 2.890                    | 2.868                  | 1.469                  | 3.000                     | 36                  |
| 3            | 3.515                    | 3.492                  | 1.594                  | 3.125                     | 36                  |
| 3 ½          | 4.015                    | 3.992                  | 1.687                  | 3.250                     | 36                  |
| 4            | 4.515                    | 4.491                  | 1.750                  | 3.375                     | 36                  |
| 5"           | 5.593                    | 5.553                  | 1.937                  | 3.625                     | 36                  |
| 6"           | 6.658                    | 6.614                  | 2.125                  | 3.750                     | 36                  |

Tested and Certified by ETL Intertek to UL 651

Available in both bell end and plain end versions. Bell dimensions do not apply to plain end sweeps.

