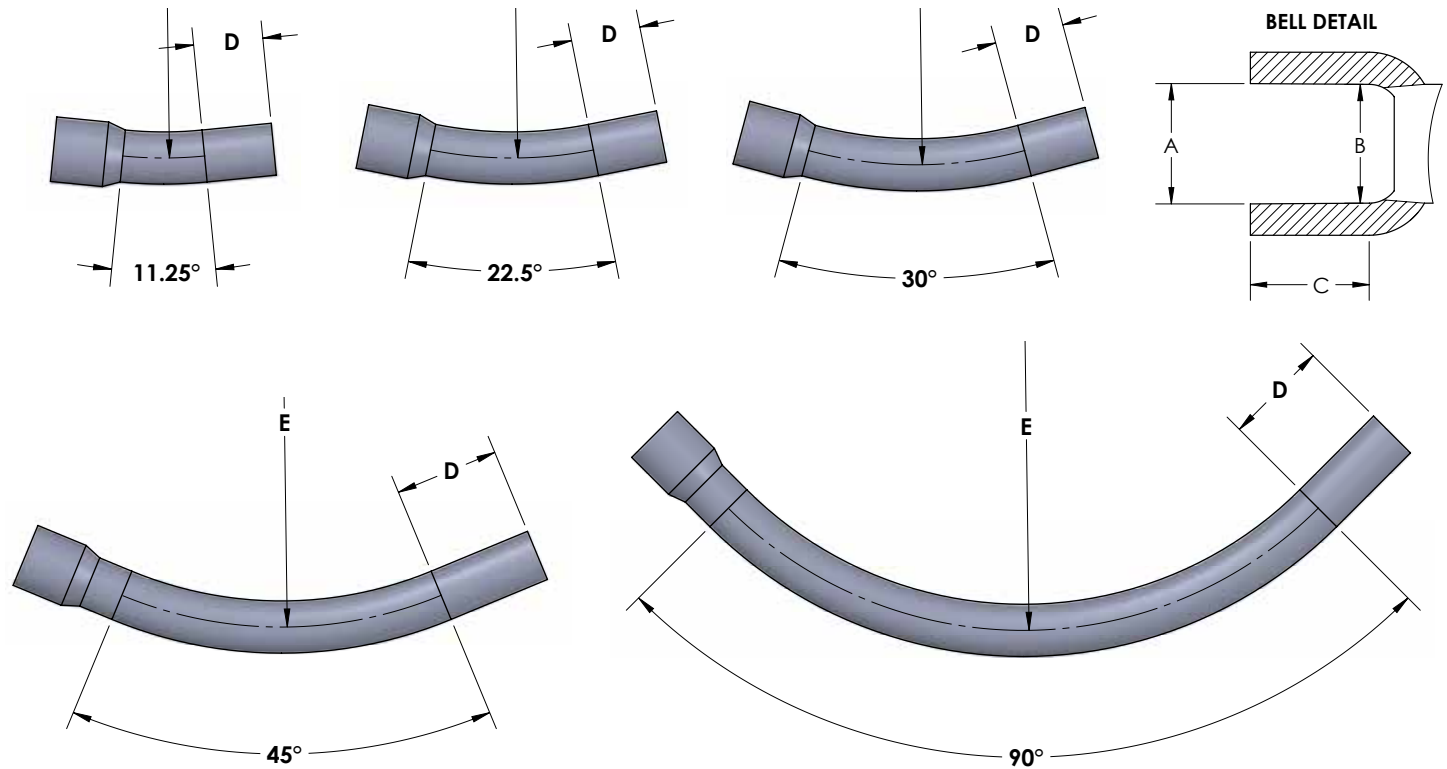


Special Radius Elbows Schedule 40 and Schedule 80

11.25°, 22.5°, 30°, 45°, 90°, 18" Radius



| Nominal Size | Dimensions (inches) | | | | |
|--------------|--------------------------|------------------------|------------------------|---------------------------|---------------------|
| | Bell Entrance A (Avg) | Bell Bottom B (Avg) | Bell Length C (Min) | Tangent Length D (Min) | Typical Radius E |
| 1 | 1.330 | 1.310 | 0.875 | 1.875 | 18 |
| 1 ¼ | 1.677 | 1.655 | 0.938 | 2.000 | 18 |
| 1 ½ | 1.918 | 1.894 | 1.062 | 2.000 | 18 |
| 2 | 2.393 | 2.369 | 1.125 | 2.000 | 18 |
| 2 ½ | 2.890 | 2.868 | 1.469 | 3.000 | 18 |
| 3 | 3.515 | 3.492 | 1.594 | 3.125 | 18 |
| 3 ½ | 4.015 | 3.992 | 1.687 | 3.250 | 18 |
| 4 | 4.515 | 4.491 | 1.750 | 3.375 | 18 |

Tested and Certified by ETL Intertek to UL 651

Available in both bell end and plain end versions. Bell dimensions do not apply to plain end sweeps.

