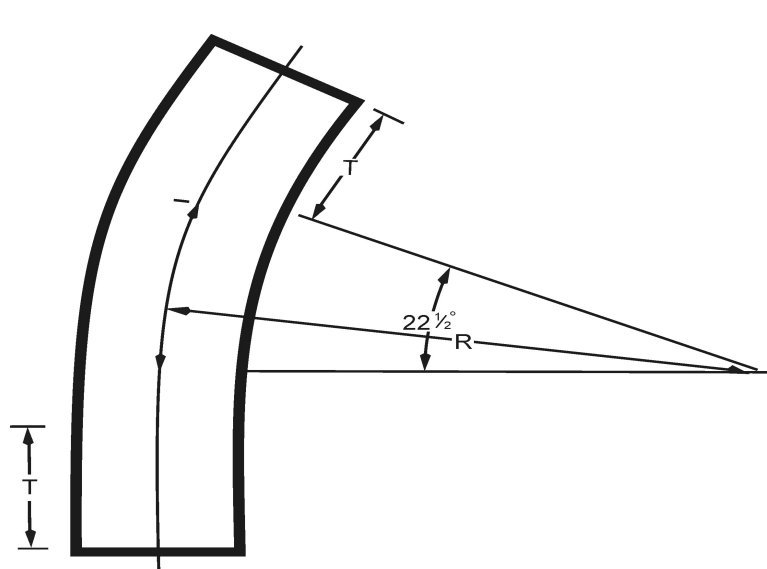




HeritagePlastics

PVC SPECIAL RADIUS SCHEDULE 40 - 22 1/2° SWEEP - PLAIN END

- All conduit used is manufactured to meet the requirements of UL 651.
- All dimensions are nominal, actual dimension may vary due to expansion in manufacturing.



RADIUS	SIZE	2"	2 1/2"	3"	3 1/2"	4"	5"	6"
18"	R	18"	18"	18"	USE STD RADIUS			
	T	4"	5"	5"	USE STD RADIUS			
24"	R	24"	24"	24"	24"	24"	USE STD RADIUS	
	T	4"	5"	5"	5"	5 1/2"	USE STD RADIUS	
30"	R	30"	30"	30"	30"	30"	30"	USE STD RADIUS
	T	4"	5"	5"	5"	5 1/2"	6"	RADIUS
36"	R	36"	36"	36"	36"	36"	36"	36"
	T	4"	5"	5"	5"	5 1/2"	6"	6 1/2"
48"	R	48"	48"	48"	48"	48"	48"	48"
	T	4"	5"	5"	5"	5 1/2"	6"	6 1/2"
60"	R	N/A	60"	60"	60"	60"	60"	60"
	T	N/A	5"	5"	5"	5 1/2"	6"	6 1/2"